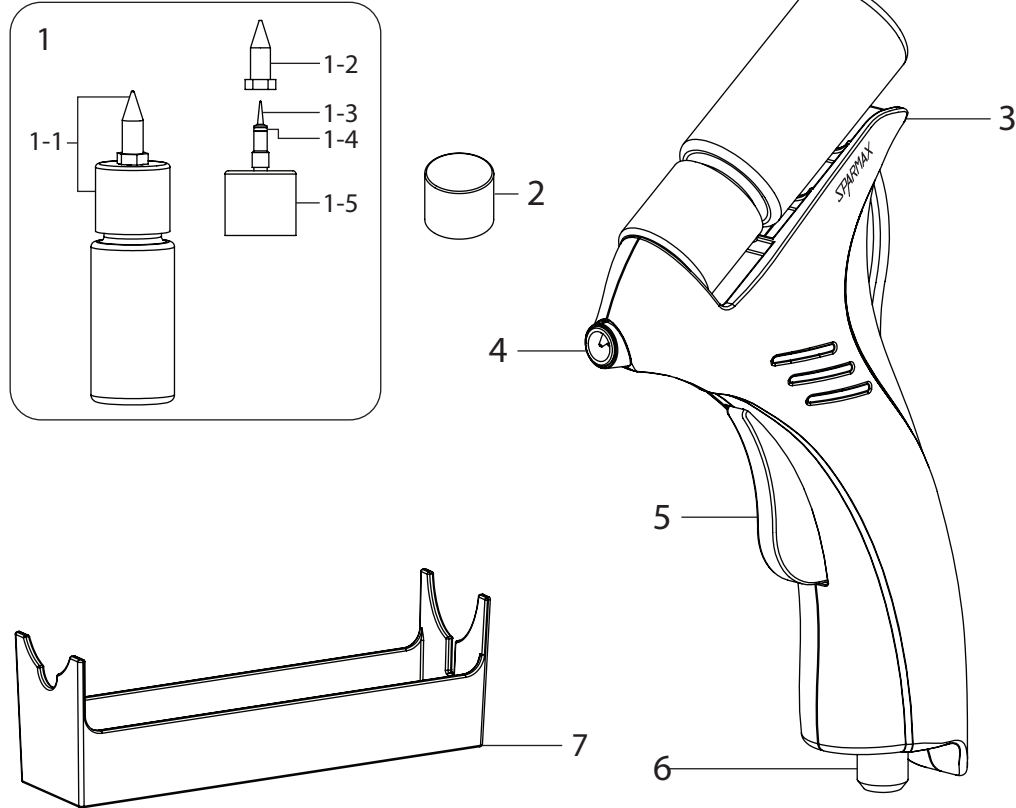


AIRBRUSH PARTS

• FLYER ^{SR}

Nozzle size: 0.4 mm
Fluid Bottle: 15 ml



*Extra 15ml Bottle available for sale.

NOTE: See www.SPARMAXair.com for other airbrush models.

INDEX	DESCRIPTION	INDEX	DESCRIPTION
1	Bottle with attachment x1	2	Flat bottle cap
1-1	Bottle cap with attachment	3	Body
1-2	Nozzle	4	Nozzle cap
1-3	Needle	5	Trigger
1-4	O-ring	6	1/8 PS
1-5	Bottle cap	7	Multipurpose airbrush/ bottle holder

*Patent pending.

USER'S MANUAL

PRECAUTION

- When the nozzle on the Bottle cap with attachment is removed for cleaning, handle the exposed needle carefully since these parts are delicate and affect the performance of the airbrush. If damaged, replace the complete Bottle with attachment.
- When the airbrush+bottle with attachment still contains paint that is not in use, always turn the bottle with attachment clockwise all the way first to prevent drying at tip of nozzle which would cause blockage. Then, make sure the complete airbrush is placed onto the multipurpose airbrush/ bottle holder included as shown, with the bottle in upright position. Otherwise, paint may leak and cause blockage of airbrush during use.
- For purpose of shaking the paint, do not use the Bottle cap with attachment, which will cause leakage due to its necessary design. Instead, temporarily replace with the Flat bottle cap included on the side. Afterwards, switch back to the Bottle cap with attachment so it can be connected to the Body.

AIR PRESSURE

The fluidity of the paint will have an effect on what is the ideal pressure to use, so if you are able to vary your working air pressure, the best advice, is to experiment.

PAINT PREPARATION

Whatever kind of paint you use, make sure that it's a milky consistency, you may have to mix some paints with water to achieve this. It is best to prepare the paint relatively thin and make repeated passes across the artwork to achieve the desired shade. There are many different types of inks and water colors available that can be used straight from the bottle and are ideal for airbrush work.

*OPERATING YOUR AIRBRUSH - see Pix 1~3 under STEP BY STEP USER GUIDE

Flyer is a single action model.

- Slide the Bottle with attachment all the way through the opening at the front of the airbrush until top rim of Bottle cap is in direct contact with the airbrush body. [Pix 1](#).
- Turn the bottle counterclockwise slowly for more paint, clockwise for less. Take care not to overturn the bottle in the counterclockwise direction, such that the nozzle is detached from the needle. [Pix 2](#).

NOTE: Make sure there is no gap between body and bottle cap. Otherwise paint will not spray. [Pix 3](#).

THE START

When you start spraying with your airbrush, you should practice freehand spraying. First fill your airbrush with paint. Hold the airbrush about 7.5cm from the surface, and just spray away. You will soon pick up the behavioral patterns of your airbrush. After a while, try varying the spray by moving your airbrush closer to the surface for finer and stronger lines, and further away for broader and weaker lines.

CLEANING YOUR AIRBRUSH

Keeping your airbrush clean is the single most important aspect of owning an airbrush. The vast majority of airbrush problems are connected to the fact that the airbrush is simply blocked up or seized up through lack of regular thorough cleaning.

PROCEDURES FOR CLEANING

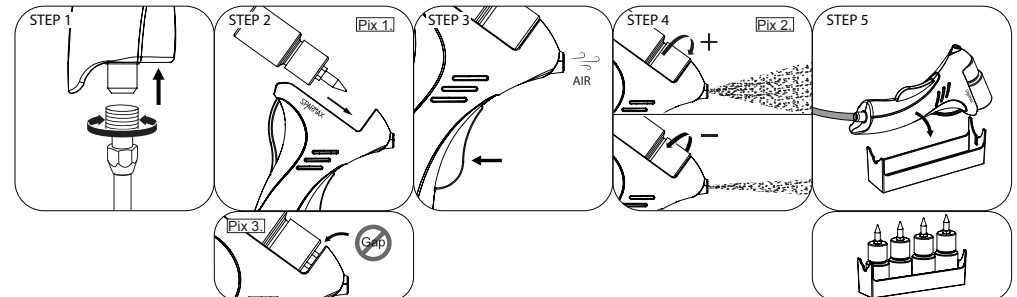
- Remove the Bottle with attachment from the airbrush by turning it clockwise fully, then pull out. Otherwise, paint will leak and may cause blockage.
- Remove the needle cap from Bottle cap with attachment. [Pix 4](#).
- Wash all parts of Bottle inside out with water or cleaning agent.
- Clean the nozzle cap with a Q-tip when needed. [Pix 5](#).

MAINTENANCE & TROUBLESHOOTING

There are three steps you should take as your starting point when carrying out maintenance work on your airbrush.

- Make sure you have the part list of your airbrush at hand. It will enable you to specify a new part should you need one.
- Choose a work surface that is flat and well lit, it helps to have a magnifying glass at hand for inspecting minute components.
- Most important of all, if you're not sure what's wrong and don't know how to fix it, consult your dealer. It can be all too easy to make an expensive mistake.

STEP BY STEP USER GUIDE:



*Bottles not included.

CONTACT We welcome any feedback at info@sparmaxair.com.

Copyright © 2019 Anest Iwata Sparmax All rights reserved.
Flyer_manual_20190122.1 3511073B