

KIT SET UP

1. Insert the smaller end of the DC Power Supply into the DC Power Jack, and the wall plug into a working power outlet.

NOTE: This product is compatible with any AC voltage (100 – 240 V)

2. Screw the black plastic adaptor of the hose onto the Air Outlet, and the other end to the airbrush.

3. Shake the body paint included in the kit well, then add it into the airbrush cup.

***Body paint from the kit can be used directly or diluted with water.**

OPERATION

1. Turn the compressor on by pressing the On/Off Button.

2. To use airbrush with pre-installed dual action function: press the push button for air only, then pull back for paint. Pull back further for more paint.

3. To use airbrush with single action function: unscrew dual action air valve counterclockwise and install single action air valve set clockwise. Air is released continuously from the airbrush. Pull back the push button for paint.

CAUTION: DO NOT flick the push button or lift your finger before returning to the starting position in front.

4. Position the stencil on the face or body as desired.

5. Hold the airbrush at a 90° angle to the stencil, pull back the push button slightly, and spray over the cut-out spaces of the stencil with your desired color using a gentle, sweeping motion. You may like to make several passes over the same area to intensify the color. Mix and match elements from different stencils as desired.

6. Continuous operation of the compressor is suggested for no more than 30 minutes. After 30 minutes, turn off the compressor by pressing the On/Off Button, and allow it to cool for 10~15 minutes before turning it back on.

7. For safety purpose, the compressor is equipped with a thermal switch. If the temperature rise reaches the thermal limit, the compressor will shut down automatically. Turn off the compressor and allow it to cool for 10~15 minutes before turning it back on.

8. At the end of each session, turn off, unplug the compressor, and release any remaining pressure by pressing the airbrush push button.

AIRBRUSH CLEANING

Basic cleaning tips BETWEEN color change and AFTER each session:

1. Spray out unwanted colors.

2. Mix water with remaining color in cup using the small brush included with the airbrush (Part #14).

3. Spray out the mixed solution.

4. Spray water through the airbrush until the spray is clear, repeat if necessary.

Scan QR code below for additional details on use of airbrush and more thorough cleaning process.



TROUBLESHOOTING FOR COMPRESSOR

For issues including, but not limited to the below, please turn off the compressor, contact the original seller with a description of the issue encountered, serial number on the voltage label, working conditions, i.e. frequency and duration of each continuous use, purchase date, and how long was the unit used since initial purchase.

1. No pressure.

2. Low pressure.

3. Motor doesn't run, note whether there is humming sound.



BODY PAINTING KIT

Olympic Edition

User Manual

Congratulations on owning the Olympic edition Body Painting Kit! You can now show support to your favorite team through airbrush body painting and be creative.

This manual contains important information on the correct operation, maintenance and safety information of the compressor and airbrush, all of which should be strictly adhered to. Failure to do so may cause damage of product and/or potential hazards which are not covered under SPARMAX warranty.

Each SPARMAX compressor and airbrush are tested and fully inspected to ensure its quality and performance are up to strict standards at the time of factory dispatch.

KIT CONTENT

Upon unboxing, make sure all items below are present and in good condition. Any transportation damages should be reported immediately to the original seller. Read through this manual carefully on how to operate and use the products properly.

Air compressor: DC-25

Airbrush: HB-040

Body Paint: 15mL * 6 colors

Stencil set: 4 pcs

IMPORTANT SAFETY INFORMATION - COMPRESSOR

WARNING:

DO NOT apply voltage and frequency different from those specified on voltage label at the bottom of the unit.

CAUTIONS:

- ONLY** operate the compressor in dry, well-ventilated areas on a flat surface.
- DO NOT** leave the compressor in operation unattended.
- DO NOT** insert any foreign objects into the compressor or disassemble/modify/repair it in any way.
- DO NOT** touch the compressor during or soon after operation since it will become hot.
- STOP** and turn off the compressor immediately if burnt odor, white smoke, odd noises, or other abnormalities are detected.

NOTE: Emission of an oil-like odor during the first few uses of a new unit is normal. The odor will gradually lessen and disappear.

IMPORTANT SAFETY INFORMATION - AIRBRUSH

CAUTION: DO NOT allow colors to sit idle in the cup.

WARNING: DO NOT remove the nozzle unless necessary.

CAUTION: Use **ONLY** airbrush colors and proper airbrush cleaner/thinner.

CAUTION:

Needle and nozzle are delicate parts to be treated carefully and gently, and may suffer damage if undergone collision or impact, being overtightened in the case of the nozzle, and will naturally wear out over time due to use. In the necessary case of nozzle removal to replace a damaged nozzle, or due to heavy blockage in the paint passage despite repeating with the more thorough cleaning process, use the wrench included with the airbrush to gently remove the nozzle with minimal force by turning counterclockwise, and make sure **NOT** to overtighten when turning clockwise to assemble the nozzle.

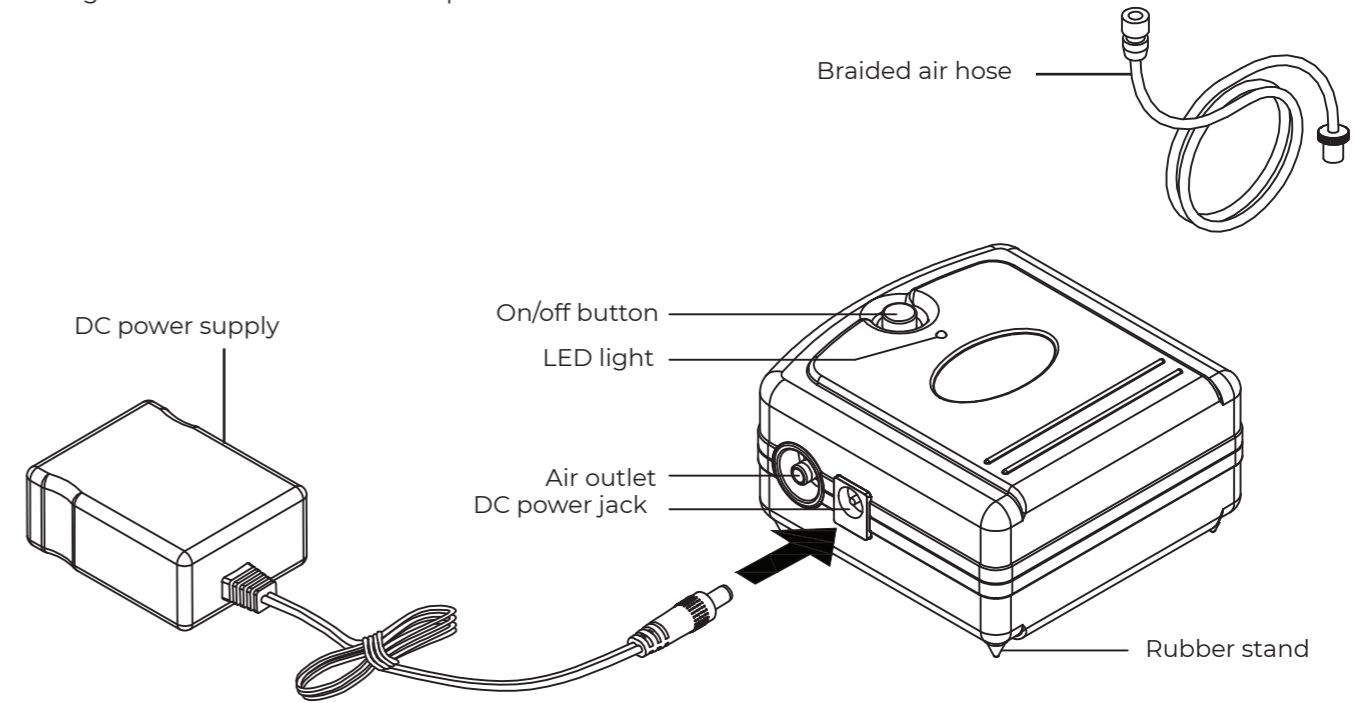
***To ensure safe removal and assembly of the nozzle without damage, check with your seller if they carry the Dual Head Airbrush Tool.**

WARRANTY

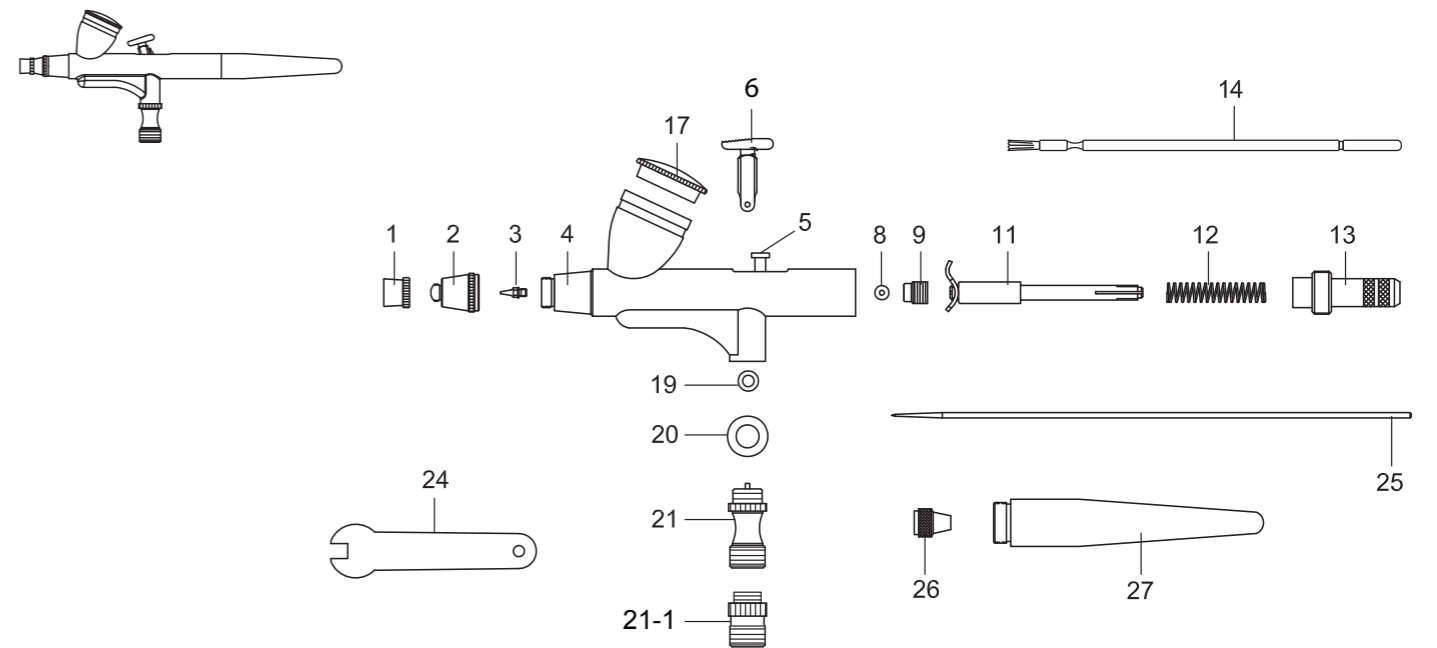
Each SPARMAX airbrush and compressor are tested and fully inspected to ensure its quality and performance. Warranted for TWO years from date of factory dispatch against workmanship or material defect resulting in inoperable airbrush or compressor. Exclude parts subject to wear such as needles, nozzles, O-rings of airbrush & piston set and DC motor of compressor, damage or loss caused by improper use, unauthorized alteration and negligence.

COMPRESSOR PART LIST

See voltage label at bottom of unit for specifications.



AIRBRUSH PART LIST



INDEX	DESCRIPTION	INDEX	DESCRIPTION	INDEX	DESCRIPTION
1	Needle cap	9	Needle guide	20	Air valve o-ring
2	Nozzle cap	11	Needle chucking guide	21	Air valve
3	Nozzle	12	Spring	21-1	Extra single action air valve set
4	Body	13	Spring case	24	Wrench
5	Piston	14	Brush	25	Needle
6	Push button	17	2 cc cup cover	26	Needle chucking nut
8	O-ring for needle guide	19	Piston o-ring	27	Handle