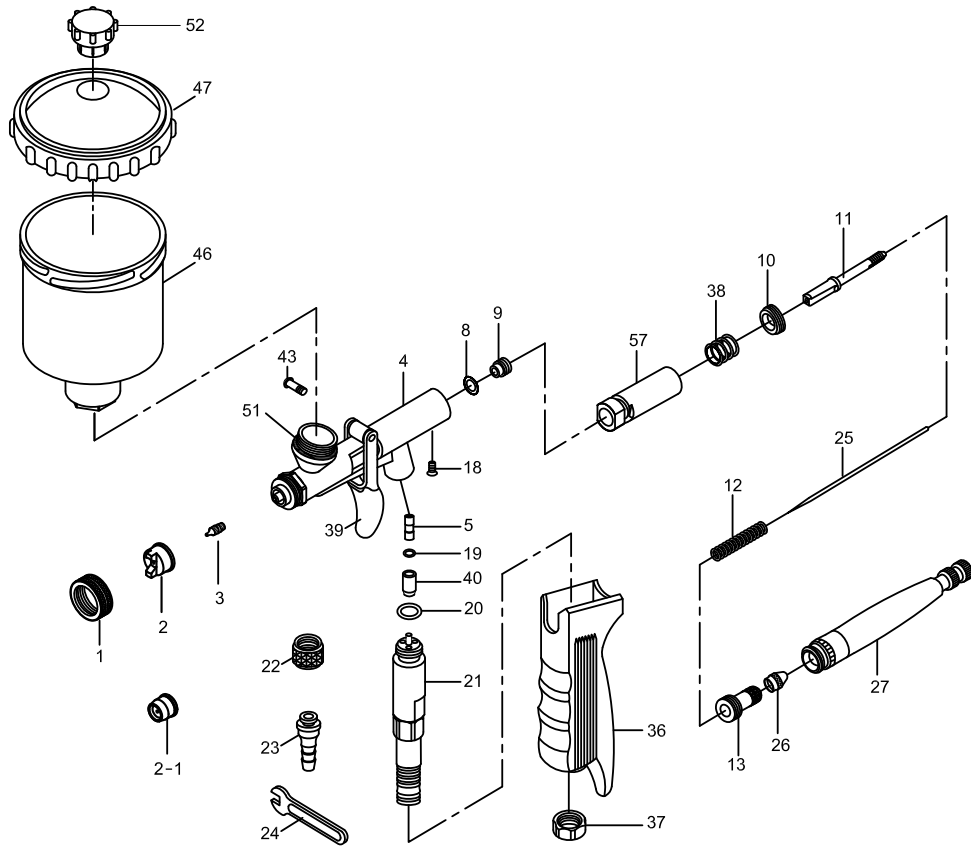


# AIRBRUSH PARTS

## • GP-850



NOTE: See [www.SPARMAXair.com](http://www.SPARMAXair.com) for other airbrush models.

INDEX	DESCRIPTION	INDEX	DESCRIPTION	INDEX	DESCRIPTION
1	Needle cap	13	Spring case	36	Grip
2	Nozzle cap	18	Set screw	37	Nut
2-1	Round shaped nozzle cap (See installation guide)	19	Piston o-ring	38	Slider spring
3	Nozzle	20	Air valve o-ring	39	Trigger
4	Body	21	Air valve	40	Sleeve air valve
5	Piston	22	Hose connector nut	43	Set screw
8	O-ring for needle guide	23	Hose connector	46	125c.c. detachable side cup
9	Needle guide	24	Wrench	47	125c.c. cup cover-1
10	Lever screw	25	Needle	51	O-ring for connector
11	Needle chucking guide	26	Needle chucking nut	52	125c.c. cup cover-2
12	Spring	27	Handle	57	Slide cam

### CAUTION

Do not attempt to remove parts that are NOT assigned a Part # and Part Name in the table/drawing. The nozzle should ONLY be removed when being replaced.

# OPERATING INSTRUCTIONS

### AIR PRESSURE

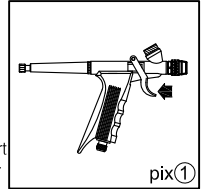
The fluidity of the paint will have an effect on what is the ideal pressure to use, so if you are able to vary your working air pressure, the best advice, is to experiment.

### PAINT PREPARATION

Whatever kind of paint you use, make sure that it's a milky consistency, you may have to mix some paints with water or a solvent to achieve this. It is best to prepare the paint relatively thin and make repeated passes across the artwork to achieve the desired shade. There are many different types of inks and water colors available that can be used straight from the bottle and are ideal for airbrush work.

### OPERATING YOUR AIRBRUSH - pix①

This is a dual action model which allows you to control air and color supply to achieve a vast range of different effects and finishes. For air only, pull back the trigger slightly until a light resistance is felt. Pull back further for paint. The further back the trigger, the greater the amount of paint.

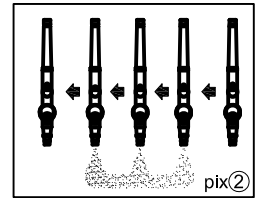


### THE START

With dual action airbrushes there is a "golden rule" operation- "AIR ON FIRST, AIR OFF LAST". The key is to start off spraying with air only as mentioned under "OPERATING YOUR AIRBRUSH", then pull trigger further back for paint. When you stop spraying, make sure the trigger is returned to the "air only" position first before it is fully released. Initially, when you start spraying with your airbrush, you should practice freehand spraying. Hold your airbrush, loaded with paint, about 7.5cm from the surface and just spray away, you'll soon pick up the behavioral patterns of your airbrush. After a while, try varying the spray by moving your airbrush closer to the surface, the finer and stronger the line, the further away, the broader and weaker the line.

### A GOOD TIP FOR SPRAYING A CLEAN FINE LINE - pix②

Don't start by pointing the airbrush at the exact spot where you want the line to begin. Start earlier, moving smoothly towards the target point with air only. When you're in line with the point, pull back the trigger for paint. Similarly, at the end of the line, switch off the paint but carry on for a second or two with air only.

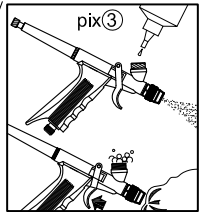


### \* CLEANING YOUR AIRBRUSH

Keeping your airbrush clean is the single most important aspect of owning an airbrush. The vast majority of airbrush problems are connected to the fact that the airbrush is simply blocked up or seized up through lack of regular thorough cleaning. Your airbrush needs to be cleaned between every color change by flushing through with water or a cleaning agent and paint should never be allowed to stand idle in the color cup.

### PROCEDURES FOR CLEANING: - pix③

1. Loosen the needle chucking nut and pull the needle back a bit.
2. Add a few drops of water or cleaning solution.
3. Place your finger or a piece of cloth over the needle cap and blow a little air through to produce back spray into paint passage. This will dislodge any paint residue from the nozzle and the paint passage.
4. Clean the color cup with a Q-tip.
5. Flush out the airbrush with water or cleaner.

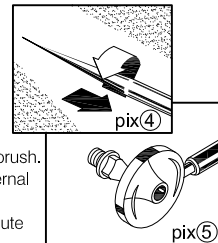


### \* CLEANING THE NEEDLE & NEEDLE CAP

Especially with pigmented colors, paint will build up on the needle and on the inside of the needle cap. Both parts must, therefore, be cleaned frequently.

### PROCEDURES FOR CLEANING: - pix④ / pix⑤

1. Remove the needle and draw it gently across a piece of soft cloth or a sheet of blotting paper away from the tip, rotating it as you go.
2. Unscrew the needle cap and clean the inside with a Q-tip and water or Airbrush cleaner.
3. Check the Nozzle from time to time to ensure it is not damaged. Only remove it when it needs replacing.
4. Replace needle cap.
5. Carefully insert the needle, pushing it with slight pressure against the nozzle with a little rotating movement to ensure a proper seat. Finally, tighten the needle chucking nut.



### MAINTENANCE & TROUBLESHOOTING

There are three steps you should take as your starting point when carrying out maintenance work on your airbrush.

1. Make sure you have the diagrammatic breakdown and part list of your airbrush at hand, showing all the internal parts. It will enable you to specify a new part should you need one.
2. Choose a work surface that is flat and well lit, it helps to have a magnifying glass at hand for inspecting minute components.
3. Most important of all, if you're not sure what's wrong and don't know how to fix it, consult your dealer. It can be all too easy to make an expensive mistake. Apart from the specific problems where it is indicated, you should consult your dealer.